

K-01



Elbow 90 Equal Banded F/F

K-01A



Elbow 90 Banded Reducing

K-01B



Elbow 90 Equal Banded
Socket Weld

K-01C



Elbow With Strip

K-01D



Elbow 90 Non-Banded F/F

K-02



Tee Banded

K-02A



Tee Banded Reducing

K-02B



Tee Banded Socket Weld

K-02C



Y-Tee Banded

K-02D



Tee Non-Banded

K-03



Cross Banded

K-04



Street Elbow 90 M/F

K-04A



Street Elbow 45 M/F

K-04B



Street Elbow Non-Banded M/F

K-05



Elbow 45 Equal Banded F/F

K-05A



Elbow 45 Banded Socket Weld

K-06 / K-06A



Union Conical Joint F/F
Union Flat Seat With PTFE
Gasket F/F

K-06B / K-06C



Union Conical Joint M/F
Union Flat Seat With PTFE
Gasket M/F

K-06D / K-06E



Union Conical Joint BW/BW
Union Flat Seat With PTFE
Gasket BW/BW

K-06F / K-06G



Union Conical Joint BW/F
Union Flat Seat With PTFE
Gasket BW/F

K-06H / K-06I




Union Conical Joint BW/M
Union Flat Seat With PTFE
Gasket BW/M

K-06J / K-06K



Union Conical Joint M/M
Union Flat Seat With PTFE
Gasket M/M

K-06L / K-06O



Union Flat Seat
Inside/Inside Thread
Union Conical
Inside/Inside Thread

K-06M / K-06P



Union Flat Seat
Inside/Outside Thread
Union Conical
Inside/Outside Thread

K-06N / K-06Q



Union Flat Seat Welded Ends
Union Conical Welded Ends

K-06R



Union Conical Joint Socket Weld

K-06Y



Union BW/M With Hexagon Nut

K-071 / K-072



Hexagon Nipple (DIN/BSP)
Hexagon Nipple (NPT/PT)

K-07A



Hexagon Nipple Reducing

K-07B



Barrel Nipple From Pipe

K-07C



Welding Nipple From Pipe

K-07D



Hose Nipple

K-07E



Hexagon Welding Nipple

K-08 / K-08A



Hexagon Plug, Taper
(Conical) Thread
Hexagon Plug, Parallel
(Cylinder) Thread

K-08B



Square Plug

K-09



Hexagon Bushing M/F

K-09A



Negative Hexagon Bushing M/F

K-10



Hexagon Cap

K-10A



Round Cap Banded

K-10B



Round Cap Banded Socket Weld

K-11



Backnut (Locknut)

K-12



Socket (Coupling) Banded

K-12A



Socket (Coupling) Banded
Reducing

K-12BN



Socket (Coupling) Plain

K-12C



Half Socket (Coupling) Plain

K-12D



Socket (Coupling) Weld

K-12E



Socket (Coupling) O.D. Machined

K-12F



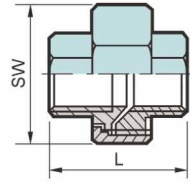
Half Socket (Half Coupling)
O.D. Machined

K-06 Union Conical Joint F/F

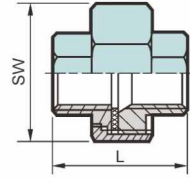
K-06A Union Flat Seat With PTFE Gasket F/F



K-06



K-06A



Unit: mm

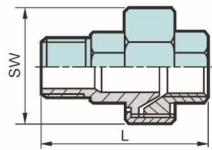
SIZE	L	SW
1/8"	30.5	24.0
1/4"	34.0	30.0
3/8"	37.0	35.0
1/2"	40.5	41.0
3/4"	43.0	48.0
1"	50.5	54.0
1-1/4"	54.5	65.0
1-1/2"	58.5	72.0
2"	65.5	88.0
2-1/2"	76.0	109.0
3"	84.0	122.0
4"	111.0	150.0

K-06B Union Conical Joint M/F

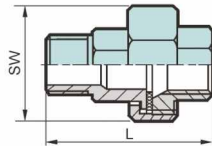
K-06C Union Flat Seat With PTFE Gasket M/F



K-06B



K-06C



Unit: mm

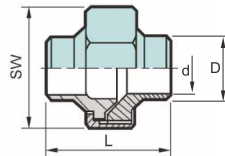
SIZE	L	SW
1/8"	39.0	24.0
1/4"	45.0	30.0
3/8"	48.5	35.0
1/2"	55.5	41.0
3/4"	59.0	48.0
1"	69.0	54.0
1-1/4"	75.5	65.0
1-1/2"	79.5	72.0
2"	91.0	88.0
2-1/2"	103.5	109.0
3"	114.5	122.0
4"	147.5	150.0

K-06D Union Conical Joint BW/BW

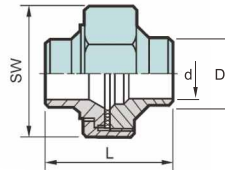
K-06E Union Flat Seat With PTFE Gasket BW/BW



K-06D



K-06E



Unit: mm

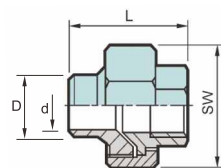
SIZE	L	SW	D	d
1/8"	29.0	25.0	10.2	8.1
1/4"	35.5	30.0	13.5	10.0
3/8"	38.0	35.0	17.2	12.7
1/2"	42.0	42.0	21.3	16.7
3/4"	50.4	47.0	26.9	21.5
1"	48.0	53.0	33.7	26.5
1-1/4"	59.0	71.0	42.4	35.8
1-1/2"	64.0	78.0	48.3	42.0
2"	69.0	92.0	60.3	53.3
2-1/2"	80.0	112.0	76.1	66.5
3"	88.0	126.0	88.9	78.5
4"	108.0	157.0	114.3	104.0

K-06F Union Conical Joint BW/F

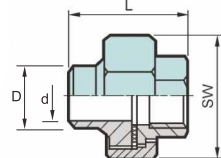
K-06G Union Flat Seat With PTFE Gasket BW/F



K-06F



K-06G

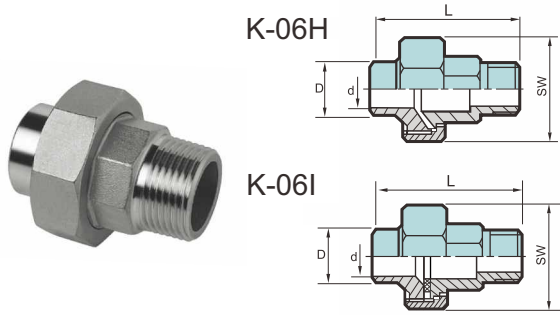


Unit: mm

SIZE	L	SW	D	d
1/8"	29.0	25.0	10.2	8.1
1/4"	35.5	30.0	13.5	10.0
3/8"	38.0	35.0	17.2	12.7
1/2"	42.0	42.0	21.3	16.7
3/4"	50.4	47.0	26.9	21.5
1"	48.0	53.0	33.7	26.5
1-1/4"	59.0	71.0	42.4	35.8
1-1/2"	64.0	78.0	48.3	42.0
2"	69.0	92.0	60.3	53.3
2-1/2"	80.0	112.0	76.1	66.5
3"	88.0	126.0	88.9	78.5
4"	108.0	157.0	114.3	104.0

K-06H Union Conical Joint BW/M

K-06I Union Flat Seat With PTFE BW/M

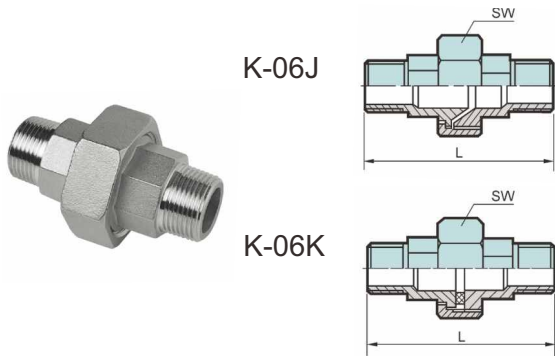


Unit: mm

SIZE	L	SW	D	d
1/8"	40.0	25.0	10.2	8.1
1/4"	50.0	30.0	13.5	10.0
3/8"	50.0	35.0	17.2	12.7
1/2"	58.4	42.0	21.3	16.7
3/4"	66.0	47.0	26.9	21.5
1"	64.4	53.0	33.7	26.5
1-1/4"	83.0	71.0	42.4	35.8
1-1/2"	86.3	78.0	48.3	42.0
2"	94.0	92.0	60.3	53.3
2-1/2"	113.3	112.0	76.1	66.5
3"	126.3	126.0	88.9	78.5
4"	154.3	157.0	114.3	104.0

K-06J Union Conical Joint M/M

K-06K Union Flat Seat With PTFE Gasket M/M

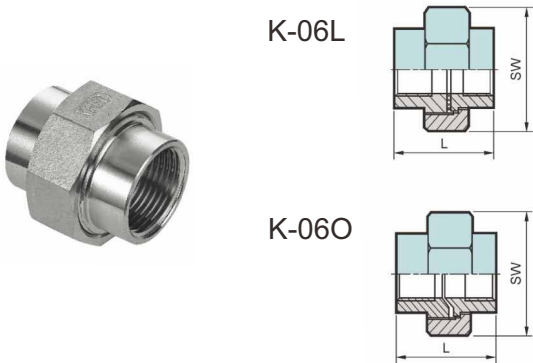


Unit: mm

SIZE	L	SW
1/8"	52.0	25.0
1/4"	61.0	30.0
3/8"	62.5	35.0
1/2"	73.0	42.0
3/4"	82.0	47.0
1"	90.0	53.0
1-1/4"	104.0	71.0
1-1/2"	109.6	78.0
2"	118.0	92.0
2-1/2"	145.0	112.0
3"	164.0	126.0
4"	205.0	157.0

K-06L Union Flat Seat Inside/Inside Thread

K-06O Union Conical Inside/Inside Thread

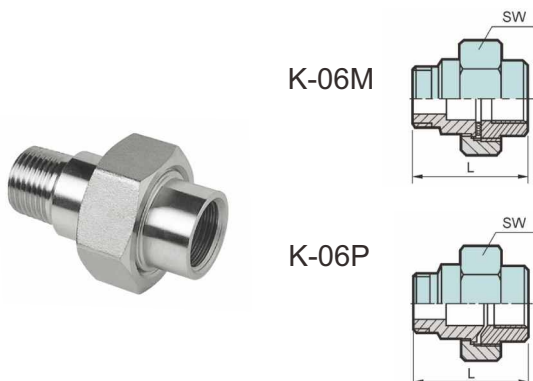


Unit: mm

SIZE	L	SW
1/8"	37.5	28.5
1/4"	37.5	28.5
3/8"	39.6	33.0
1/2"	46.0	38.5
3/4"	48.1	46.0
1"	51.4	51.0
1-1/4"	59.5	63.5
1-1/2"	71.0	75.0
2"	76.5	92.0
2-1/2"	90.5	110.0
3"	90.0	120.0

K-06M Union Flat Seat Inside/Outside Thread

K-06P Union Conical Inside/Outside Thread

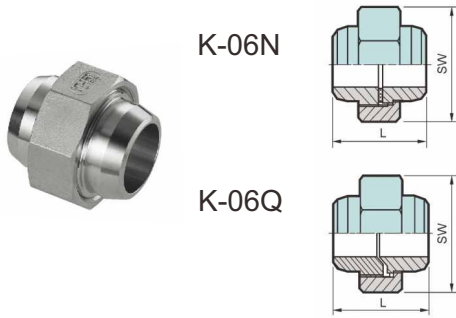


Unit: mm

SIZE	L	SW
1/4"	50.0	28.5
3/8"	52.5	33.0
1/2"	61.5	38.5
3/4"	64.5	46.0
1"	71.5	51.0
1-1/4"	82.0	63.5
1-1/2"	95.0	75.0
2"	103.0	92.0
2-1/2"	123.0	110.0
3"	125.5	120.0

K-06N Union Flat Seat Welded Ends

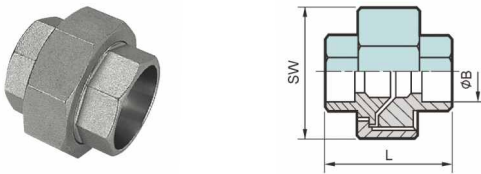
K-06Q Union Conical Welded Ends



Unit: mm

SIZE	L	SW
1/8"	37.0	28.5
1/4"	37.0	28.5
3/8"	39.6	33.0
1/2"	46.0	38.5
3/4"	48.1	46.0
1"	51.4	51.0
1-1/4"	59.5	63.5
1-1/2"	71.0	75.0
2"	76.5	92.0
2-1/2"	90.5	110.0
3"	89.0	120.0

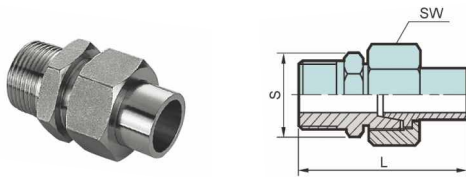
K-06R Union Conical Joint Sovket Weld



Unit: mm

SIZE	φB	L	SW
1/8"	11.0	29.0	25.0
1/4"	14.4	37.5	30.0
3/8"	17.8	38.0	35.0
1/2"	22.0	42.0	42.0
3/4"	27.4	50.4	47.0
1"	34.1	48.0	53.0
1-1/4"	42.9	59.0	71.0
1-1/2"	48.9	65.0	78.0
2"	61.4	69.0	92.0
2-1/2"	74.1	80.0	112.0
3"	90.1	88.0	127.0
4"	115.7	108.0	157.0

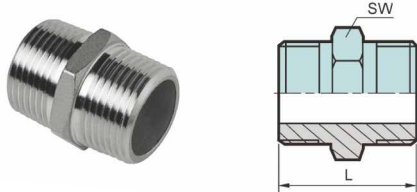
K-06Y Union BW/M with Hexagon Nut



Unit: mm

SIZE	L	S	SW
1/2"	60.0	24.0	27.0
3/4"	66.5	32.0	36.0
1"	74.0	41.0	41.0
1-1/4"	80.8	46.0	50.0
1-1/2"	82.0	55.0	60.0
2"	93.0	65.0	70.0

K-071·072 Hexagon Nipple



Unit: mm

K-071

SIZE	L	SW
1/8"	23.6	12.0
1/4"	27.8	16.0
3/8"	28.0	19.0
1/2"	34.0	21.6
3/4"	40.0	30.0
1"	46.0	36.0
1-1/4"	52.5	46.0
1-1/2"	54.0	50.0
2"	62.0	64.5
2-1/2"	70.0	79.5
3"	78.4	90.0
4"	94.0	120.0

DIN/BSP

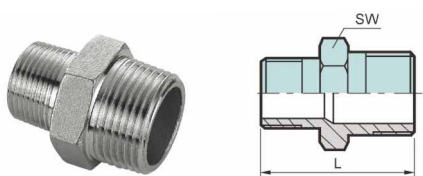
Unit: mm

K-072

SIZE	L	SW
1/8"	29.0	12.0
1/4"	32.5	17.0
3/8"	36.0	20.0
1/2"	42.5	26.0
3/4"	46.0	32.0
1"	51.5	38.0
1-1/4"	56.0	46.0
1-1/2"	60.0	52.5
2"	65.0	62.0
2-1/2"	80.0	77.0
3"	90.0	92.0
4"	107.0	118.0

PT/NPT

K-07A Hexagon Nipple Reducing



Unit: mm

SIZE	L	SW
1/4"x1/8"	25.5	16.0
3/8"x1/8"	26.0	18.0
3/8"x1/4"	28.5	18.0
1/2"x1/8"	34.0	26.0
1/2"x1/4"	32.0	24.0
1/2"x3/8"	32.5	24.0
3/4"x1/8"	37.0	30.0
3/4"x1/4"	37.0	30.0
3/4"x3/8"	34.5	30.0
3/4"x1/2"	38.0	30.0
1"x1/8"	39.0	35.0
1"x1/4"	39.0	35.0
1"x3/8"	40.0	35.0
1"x1/2"	41.0	36.0
1"x3/4"	42.0	36.0
1-1/4"x1/4"	45.0	46.0
1-1/4"x3/8"	46.0	46.0
1-1/4"x1/2"	48.0	46.0
1-1/4"x3/4"	45.5	46.0
1-1/4"x1"	48.5	46.0
1-1/2"x3/8"	48.0	50.0
1-1/2"x1/2"	49.0	50.0

Unit: mm

SIZE	L	SW
1-1/2"x3/4"	53.0	50.0
1-1/2"x1"	48.5	50.0
1-1/2"x1-1/4"	51.0	50.0
2"x1/2"	52.0	63.0
2"x3/4"	56.0	63.0
2"x1"	57.0	63.0
2"x1-1/4"	55.5	65.0
2"x1-1/2"	55.5	65.0
2-1/2"x3/4"	63.0	80.0
2-1/2"x1"	63.0	80.0
2-1/2"x1-1/4"	66.0	80.0
2-1/2"x1-1/2"	57.5	80.0
2-1/2"x2"	62.0	80.0
3"x1"	69.0	95.0
3"x1-1/4"	72.0	95.0
3"x1-1/2"	72.0	95.0
3"x2"	66.0	95.0
3"x2-1/2"	68.0	95.0
4"x1-1/2"	82.0	125.0
4"x2"	82.0	125.0
4"x2-1/2"	74.0	120.0
4"x3"	77.0	120.0

* Octagonal shape